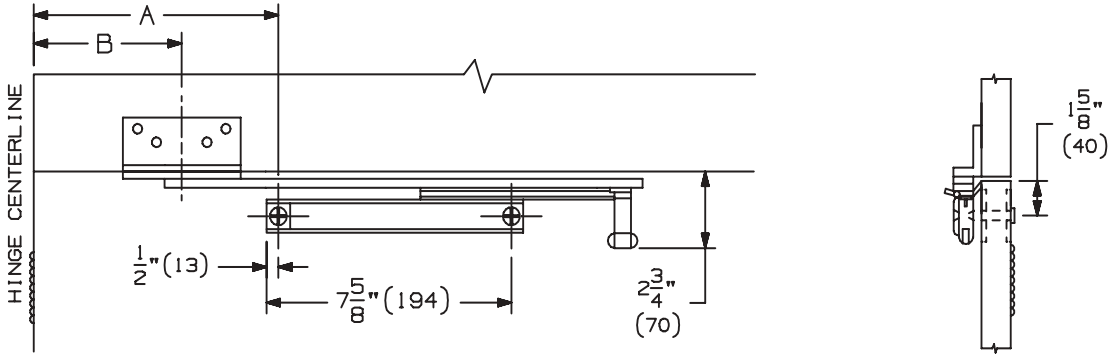
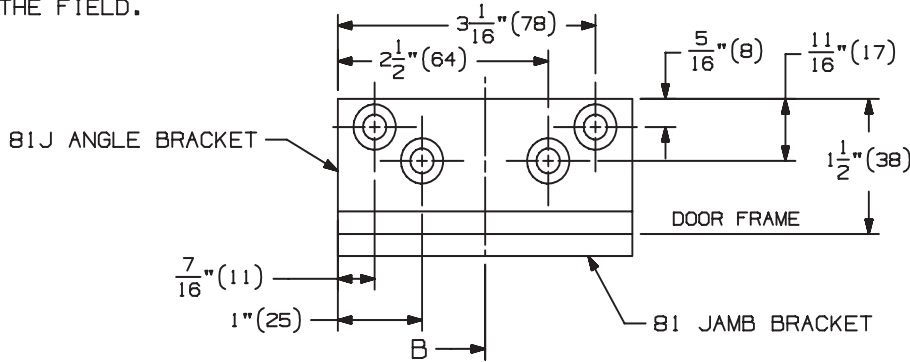


OVERHEAD HOLDERS OR STOPS MUST BE INSTALLED BEFORE CLOSERS.

1. A. FOLLOW STEP 1 FROM THE 81 SERIES SURFACE OVERHEAD HOLDER INSTALLATION TEMPLATE INST.81.



2. A. LOCATE "B" DIMENSION ON THE FACE OF THE FRAME OR ON THE FLUSH TRANSOM PANEL. NOTE THAT THE "B" DIMENSION IS MEASURED FROM THE CENTERLINE OF THE HINGE AS SHOWN.
- B. FOR METAL FRAMES, USE A #7 DRILL AND 1/4"-20 TAP IN 4 PLACES. FOR WOOD FRAMES, DRILL 3/16" PILOT HOLES IN 4 PLACES. MOUNTING HOLES SHOULD BE PREPARED IN THE FIELD.



3. A. LOCATE "A" DIMENSION ON THE DOOR. NOTE THAT THE "A" DIMENSION IS MEASURED FROM THE CENTERLINE OF HINGE AS SHOWN.
- B. DRILL THE 3/8" (10) DIAMETER THROUGH HOLES DOWN 1 5/8" (41) FROM THE FRAME OR FLUSH TRANSOM PANEL IN TWO PLACES. MOUNTING HOLES SHOULD BE PREPARED IN THE FIELD.
4. A. INSTALL ANGLE BRACKET ONTO STANDARD JAMB BRACKET WITH 1/4"-20 X 1/2" FPHMS PROVIDED WITH THE ANGLE BRACKET.
- B. INSTALL THE CHANNEL ON THE DOOR WITH THE SHOCK SPRING TOWARDS THE HINGE EDGE OF DOOR.

SCREW DETAILS

	QTY	WOOD	METAL
ANGLE	4	1/4"-20 X 1/2" FPHMS	1/4"-20 X 1/2" FPHMS
JAMB	4	#14 X 1 1/2" FPHSMS	1/4"-20 X 3/4" FPHMS
DOOR	2	1/4"-20 X 1 1/4" OPHMS	1/4"-20 X 1 1/4" OPHMS
DOOR	2	1/4"-20 X 2 1/2" SEX BOLT	1/4"-20 X 2 1/2" SEX BOLT

81 SERIES SURFACE OVERHEAD HOLDER ANGLE BRACKET (PUSH SIDE) INSTALLATION TEMPLATE



NOTE: DIMENSIONS IN () ARE IN MILLIMETERS

TEMPLATE NUMBER: INST.81J_1

DATE: 04-15-04

INST.81J ①

