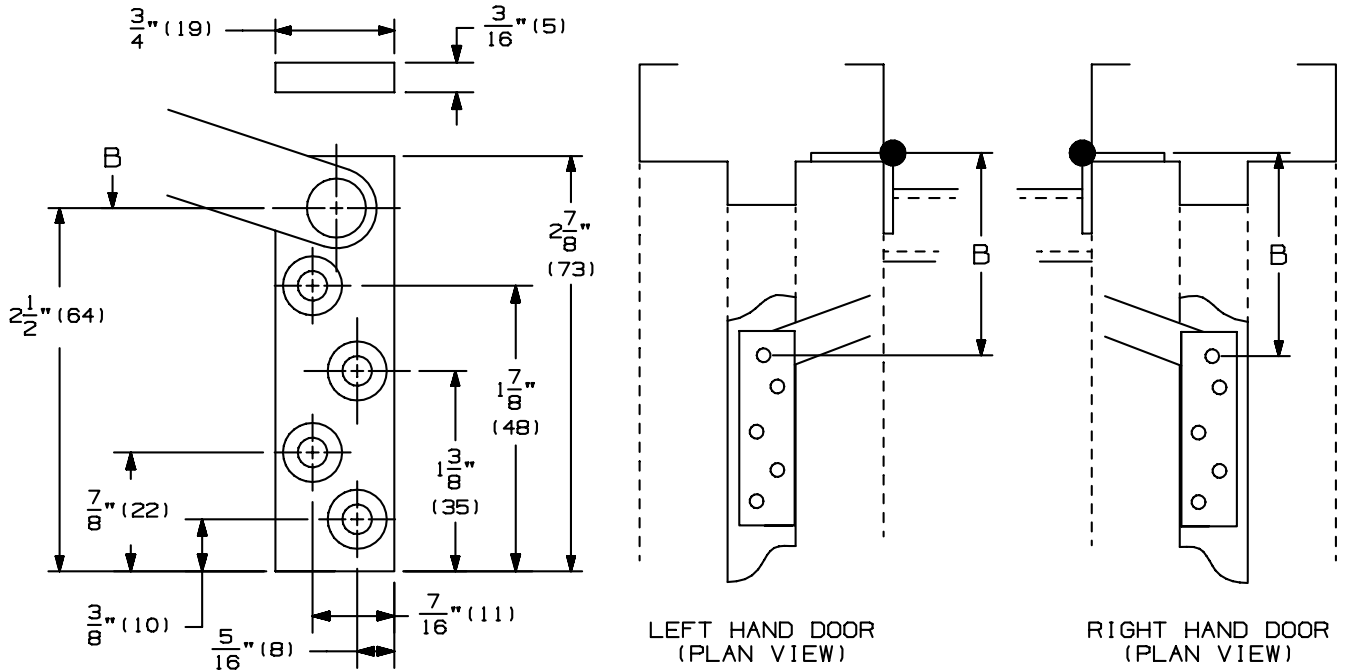




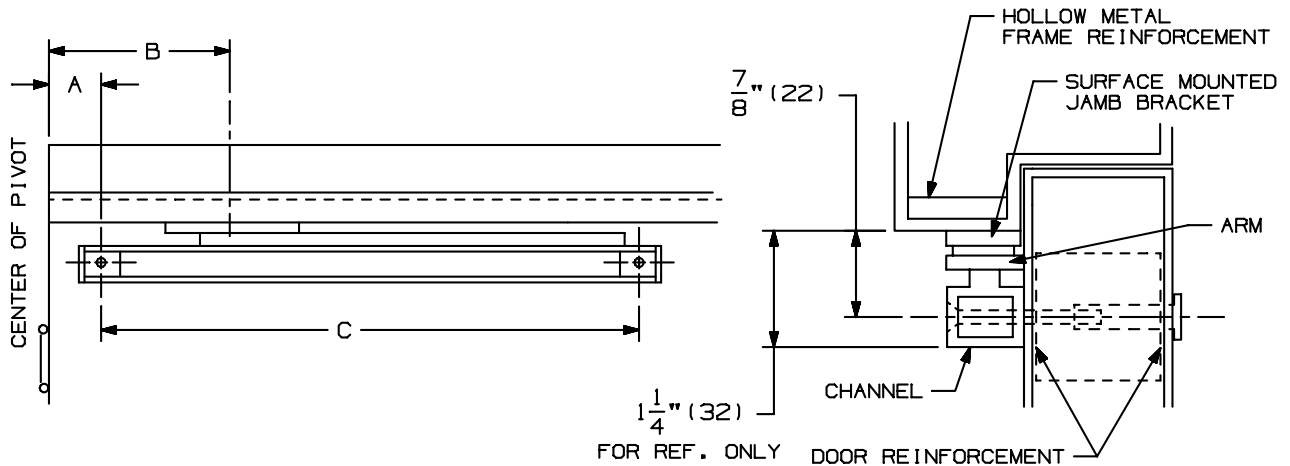
2. A. LOCATE "B" DIMENSION ON THE FRAME. NOTE THAT THE "B" DIMENSION IS MEASURED FROM THE CENTERLINE OF THE HINGE AS SHOWN.

C. FOR METAL FRAMES, USE A #21 DRILL AND 10-32 TAP IN 4 PLACES. FOR WOOD FRAMES, DRILL 1/8" PILOT HOLE IN 4 PLACES. REFER TO LEFT AND RIGHT PLAN VIEWS FOR APPROPRIATE HOLE PATTERN.



3. A. LOCATE "A" AND "C" DIMENSIONS ON THE DOOR. NOTE THAT THE "A" DIMENSION IS MEASURED FROM THE CENTERLINE OF THE HINGE AS SHOWN.

B. DRILL THE 1/4" (6) DIAMETER THROUGH HOLES DOWN 7/8" (22) DOWN FROM STOP IN TWO PLACES. ON THE PULL SIDE OF THE DOOR, DRILL 13/32" (10) DIAMETER HOLE, 1 5/8" (41) DEEP FOR SEX BOLT. MOUNTING HOLES SHOULD BE PREPARED IN THE FIELD.



4. A. INSTALL JAMB BRACKET ON THE STOP.

B. INSTALL THE CHANNEL ON THE DOOR WITH THE SHOCK SPRING TOWARDS THE HINGE EDGE OF THE DOOR.

450 SERIES SURFACE OVERHEAD  
HOLDER INSTALLATION TEMPLATE



NOTE: DIMENSIONS IN ( ) ARE MILLIMETERS.

TEMPLATE NUMBER: INST. 450.PG2\_5

DATE: 04-15-04

MOUNTING GROUPS 1, 2, 3, & 4  
450 SERIES SURFACE OVERHEAD STOP & HOLDER

CAUTION: "A" & "B" DIMENSIONS ARE MEASURED FROM THE CENTERLINE OF PIVOT, NOT EDGE OF DOOR  
FOR DEAD STOP ADD 9/16" (14) TO THE "A" DIMENSION  
FOR SE STOPS USE HOLD-OPEN MOUNTING DIMENSION  
HO-HOLD-OPEN FOR HOLDERS, OPENING FOR STOPS  
I-ARM LENGTH FROM PIVOT CENTERLINE TO PIVOT CENTERLINE  
(FOR REFERENCE ONLY)

DEGREE	MOUNTING GROUP #1		MOUNTING GROUP #2		MOUNTING GROUP #3		MOUNTING GROUP #4		MOUNTING GROUP #5	
DIM.	IN.	MM	IN.	MM	IN.	MM	IN.	MM	IN.	MM
DOOR OPENING	18-23	457-584	18-23*	457-584*	18-23*	457-584*	18-23*	457-584*	18-23*	457-584*
A	23 1/16-27*	585-686	23 1/16-27*	585-686	23 1/16-27*	585-686	23 1/16-27*	585-686	23 1/16-27*	585-686
B	2 9/16*	4 15/16	3 5/8*	4 1/2*	3 5/8*	4 1/2*	3 5/8*	4 1/2*	3 5/8*	4 1/2*
A	10 3/4	273	10 3/4	273	10 3/4	273	10 3/4	273	10 3/4	273
B	7 5/8	194	7 5/8	194	7 5/8	194	7 5/8	194	7 5/8	194
A	10 1/4	260	10 1/4	260	10 1/4	260	10 1/4	260	10 1/4	260
B	7 3/16	183	7 3/16	183	7 3/16	183	7 3/16	183	7 3/16	183
A	9 13/16	249	9 13/16	249	9 13/16	249	9 13/16	249	9 13/16	249
B	6 3/4	171	6 3/4	171	6 3/4	171	6 3/4	171	6 3/4	171
A	9 7/16	240	9 7/16	240	9 7/16	240	9 7/16	240	9 7/16	240
B	6 3/8	162	6 3/8	162	6 3/8	162	6 3/8	162	6 3/8	162
A	9 1/8	232	9 1/8	232	9 1/8	232	9 1/8	232	9 1/8	232
B	6	152	6	152	6	152	6	152	6	152
A	8 13/16	224	8 13/16	224	8 13/16	224	8 13/16	224	8 13/16	224
B	5 13/16	148	5 13/16	148	5 13/16	148	5 13/16	148	5 13/16	148
A	9 1/16	249	9 1/16	249	9 1/16	249	9 1/16	249	9 1/16	249
B	5 5/16	171	5 5/16	171	5 5/16	171	5 5/16	171	5 5/16	171
A	9 7/16	240	9 7/16	240	9 7/16	240	9 7/16	240	9 7/16	240
B	6 3/4	171	6 3/4	171	6 3/4	171	6 3/4	171	6 3/4	171
A	9 13/16	249	9 13/16	249	9 13/16	249	9 13/16	249	9 13/16	249
B	6 1/8	156	6 1/8	156	6 1/8	156	6 1/8	156	6 1/8	156
A	5 11/16	144	5 11/16	144	5 11/16	144	5 11/16	144	5 11/16	144
B	6 7/16	183	6 7/16	183	6 7/16	183	6 7/16	183	6 7/16	183
A	5 1/2	121	5 1/2	121	5 1/2	121	5 1/2	121	5 1/2	121
B	6 5/16	160	6 5/16	160	6 5/16	160	6 5/16	160	6 5/16	160
A	10 3/16	254	10 3/16	254	10 3/16	254	10 3/16	254	10 3/16	254
B	7 3/8	187	7 3/8	187	7 3/8	187	7 3/8	187	7 3/8	187
A	13 1/2	343	13 1/2	343	13 1/2	343	13 1/2	343	13 1/2	343
B	8 1/16	221	8 1/16	221	8 1/16	221	8 1/16	221	8 1/16	221
A	13 5/8	354	13 5/8	354	13 5/8	354	13 5/8	354	13 5/8	354
B	8 15/16	221	8 15/16	221	8 15/16	221	8 15/16	221	8 15/16	221
A	14 1/8	359	14 1/8	359	14 1/8	359	14 1/8	359	14 1/8	359
B	8 13/16	224	8 13/16	224	8 13/16	224	8 13/16	224	8 13/16	224
A	13 5/8	346	13 5/8	346	13 5/8	346	13 5/8	346	13 5/8	346
B	8 5/16	211	8 5/16	211	8 5/16	211	8 5/16	211	8 5/16	211
A	13 3/4	349	13 3/4	349	13 3/4	349	13 3/4	349	13 3/4	349
B	8 1/2	229	8 1/2	229	8 1/2	229	8 1/2	229	8 1/2	229
A	13 3/4	349	13 3/4	349	13 3/4	349	13 3/4	349	13 3/4	349
B	8 1/2	229	8 1/2	229	8 1/2	229	8 1/2	229	8 1/2	229
A	10 5/8	270	10 5/8	270	10 5/8	270	10 5/8	270	10 5/8	270
B	7 9/16	192	7 9/16	192	7 9/16	192	7 9/16	192	7 9/16	192
A	10 3/16	270	10 3/16	270	10 3/16	270	10 3/16	270	10 3/16	270
B	7 1/8	181	7 1/8	181	7 1/8	181	7 1/8	181	7 1/8	181
A	9 13/16	249	9 13/16	249	9 13/16	249	9 13/16	249	9 13/16	249
B	6 1/4	159	6 1/4	159	6 1/4	159	6 1/4	159	6 1/4	159
A	5 3/4	121	5 3/4	121	5 3/4	121	5 3/4	121	5 3/4	121
B	6 1/2	165	6 1/2	165	6 1/2	165	6 1/2	165	6 1/2	165
A	10 3/16	270	10 3/16	270	10 3/16	270	10 3/16	270	10 3/16	270
B	7 9/16	192	7 9/16	192	7 9/16	192	7 9/16	192	7 9/16	192
A	13 5/8	346	13 5/8	346	13 5/8	346	13 5/8	346	13 5/8	346
B	8 1/16	211	8 1/16	211	8 1/16	211	8 1/16	211	8 1/16	211
A	13 3/4	349	13 3/4	349	13 3/4	349	13 3/4	349	13 3/4	349
B	8 1/2	229	8 1/2	229	8 1/2	229	8 1/2	229	8 1/2	229
A	10 5/8	270	10 5/8	270	10 5/8	270	10 5/8	270	10 5/8	270
B	7 9/16	192	7 9/16	192	7 9/16	192	7 9/16	192	7 9/16	192
A	9 13/16	249	9 13/16	249	9 13/16	249	9 13/16	249	9 13/16	249
B	6 1/4	159	6 1/4	159	6 1/4	159	6 1/4	159	6 1/4	159
A	5 3/4	121	5 3/4	121	5 3/4	121	5 3/4	121	5 3/4	121
B	6 1/2	165	6 1/2	165	6 1/2	165	6 1/2	165	6 1/2	165
A	10 3/16	270	10 3/16	270	10 3/16	270	10 3/16	270	10 3/16	270
B	7 9/16	192	7 9/16	192	7 9/16	192	7 9/16	192	7 9/16	192
A	13 5/8	346	13 5/8	346	13 5/8	346	13 5/8	346	13 5/8	346
B	8 1/16	211	8 1/16	211	8 1/16	211	8 1/16	211	8 1/16	211
A	13 3/4	349	13 3/4	349	13 3/4	349	13 3/4	349	13 3/4	349
B	8 1/2	229	8 1/2	229	8 1/2	229	8 1/2	229	8 1/2	229
A	10 5/8	270	10 5/8	270	10 5/8	270	10 5/8	270	10 5/8	270
B	7 9/16	192	7 9/16	192	7 9/16	192	7 9/16	192	7 9/16	192
A	9 13/16	249	9 13/16	249	9 13/16	249	9 13/16	249	9 13/16	249
B	6 1/4	159	6 1/4	159	6 1/4	159	6 1/4	159	6 1/4	159
A	5 3/4	121	5 3/4	121	5 3/4	121	5 3/4	121	5 3/4	121
B	6 1/2	165	6 1/2	165	6 1/2	165	6 1/2	165	6 1/2	165
A	10 3/16	270	10 3/16	270	10 3/16	270	10 3/16	270	10 3/16	270
B	7 9/16	192	7 9/16	192	7 9/16	192	7 9/16	192	7 9/16	192
A	13 5/8	346	13 5/8	346	13 5/8	346	13 5/8	346	13 5/8	346
B	8 1/16	211	8 1/16	211	8 1/16	211	8 1/16	211	8 1/16	211
A	13 3/4	349	13 3/4	349	13 3/4	349	13 3/4	349	13 3/4	349
B	8 1/2	229	8 1/2	229	8 1/2	229	8 1/2	229	8 1/2	229
A	10 5/8	270	10 5/8	270	10 5/8	270	10 5/8	270	10 5/8	270
B	7 9/16	192	7 9/16	192	7 9/16	192	7 9/16	192	7 9/16	192
A	9 13/16	249	9 13/16	249	9 13/16	249	9 13/16	249	9 13/16	249
B	6 1/4	159	6 1/4	159	6 1/4	159	6 1/4	159	6 1/4	159
A	5 3/4	121	5 3/4	121	5 3/4	121	5 3/4	121	5 3/4	121
B	6 1/2	165	6 1/2	165	6 1/2	165	6 1/2	165	6 1/2	165
A	10 3/16	270	10 3/16	270	10 3/16	270	10 3/16	270	10 3/16	270
B	7 9/16	192	7 9/16	192	7 9/16	192	7 9/16	192	7 9/16	192
A	13 5/8	346	13 5/8	346	13 5/8	346	13 5/8	346	13 5/8	346
B	8 1/16	211	8 1/16	211	8 1/16	211	8 1/16	211	8 1/16	211
A	13 3/4	349	13 3/4	349	13 3/4	349	13 3/4	349	13 3/4	349
B	8 1/2	229	8 1/2	229	8 1/2	229	8 1/2	229	8 1/2	229
A	10 5/8	270	10 5/8	270	10 5/8	270	10 5/8	270	10 5/8	270
B	7 9/16	192	7 9/16	192	7 9/16	192	7 9/16	192	7 9/16	192
A	9 13/16	249	9 13/16	249	9 13/16	249	9 13/16	249	9 13/16	249
B	6 1/4	159	6 1/4	159	6 1/4	159	6 1/4	159	6 1/4	159
A	5 3/4	121	5 3/4	121	5 3/4	121	5 3/4	121	5 3/4	121
B	6 1/2	165	6 1/2	165	6 1/2	165	6 1/2	165	6 1/2	165
A	10 3/16	270	10 3/16	270	10 3/16	270	10 3/16	270	10 3/16	270
B	7 9/16	192	7 9/16	192	7 9/16	192	7 9/16	192	7 9/16	192
A	13 5/8	346	13 5/8	346	13 5/8	346	13 5/8	346	13 5/8	346
B	8 1/16	211	8 1/16	211	8 1/16	211	8 1/16	211	8 1/16	211
A	13 3/4	349	13 3/4	349	13 3/4	349	13 3/4	349	13 3/4	349
B	8 1/2	229	8 1/2	229	8 1/2	229	8 1/2	229	8 1/2	229
A	10 5/8	270	10 5/8	2						