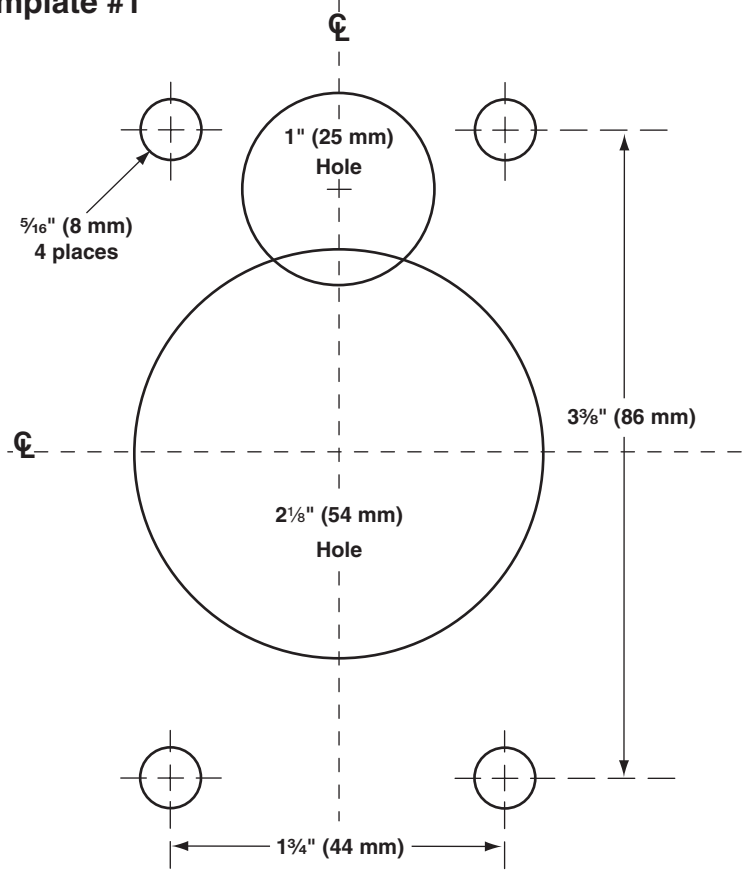
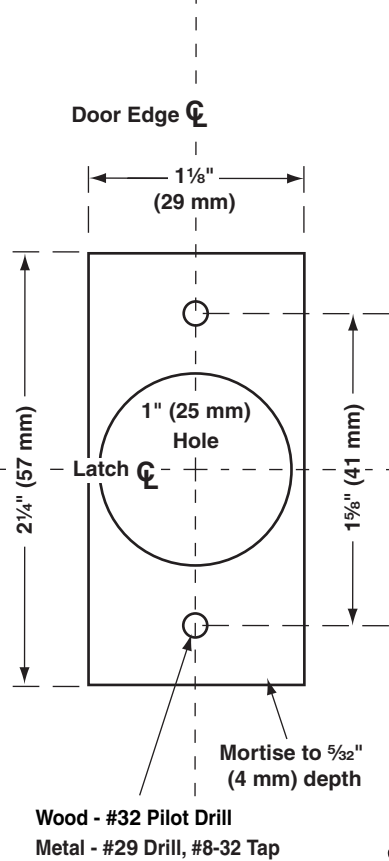


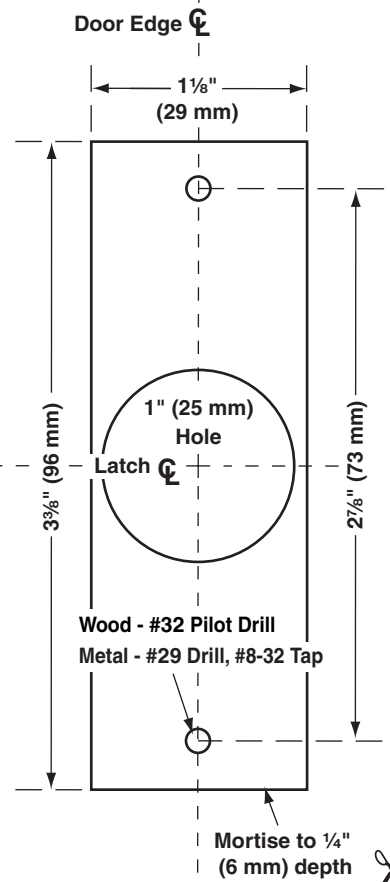
**Template #1**



**Template #2  
(standard latch)**

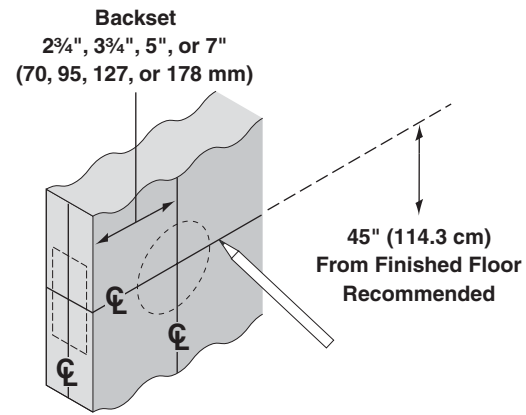


**Template #3  
(latch with roller adapter)**

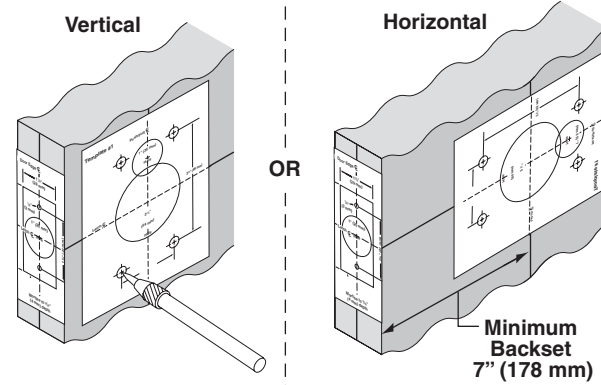


**Door Preparation**

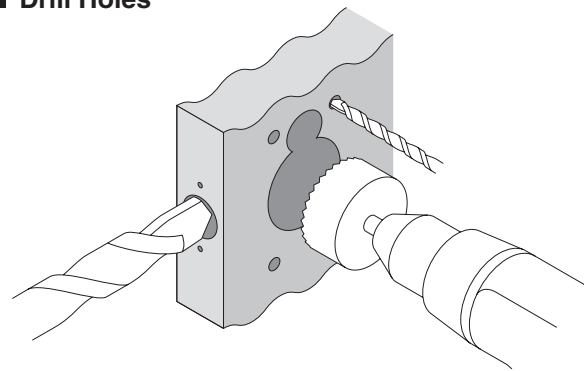
**1 Mark Center Lines (C)**



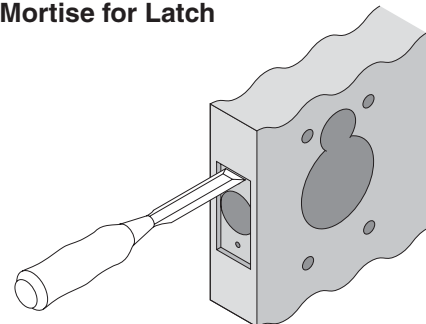
**2 Mark Door**



**3 Drill Holes**



**4 Mortise for Latch**



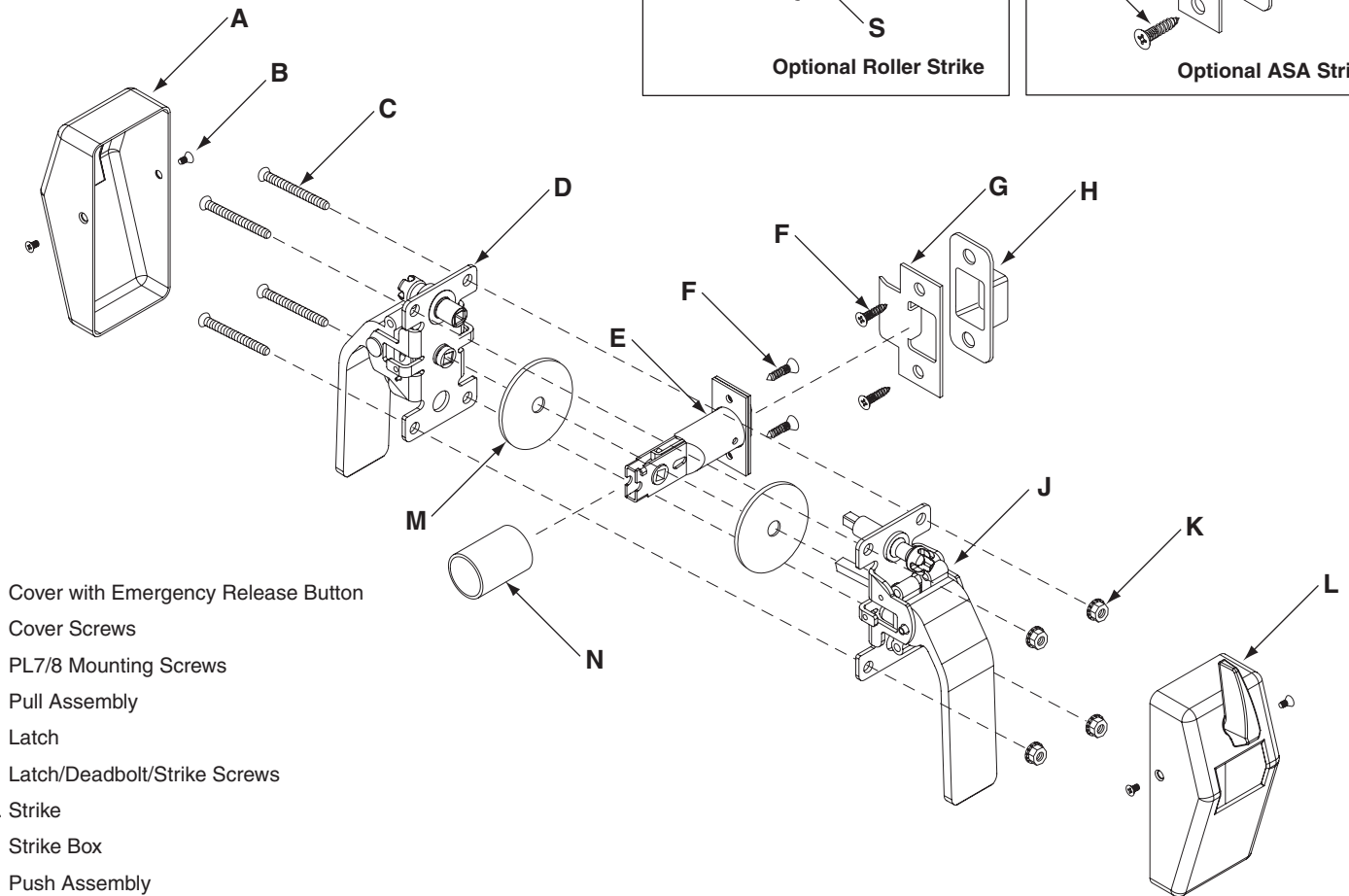
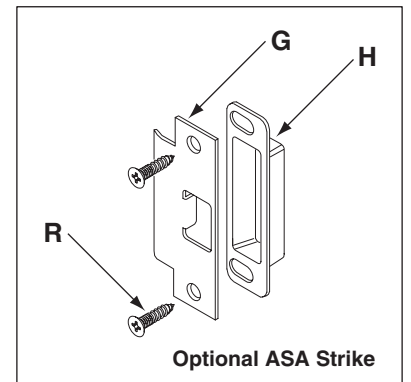
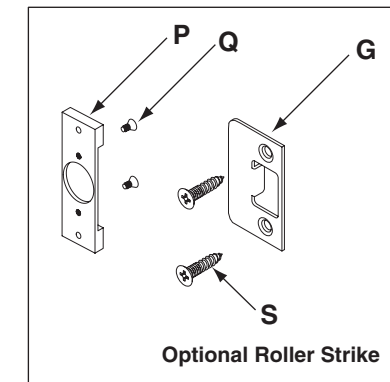
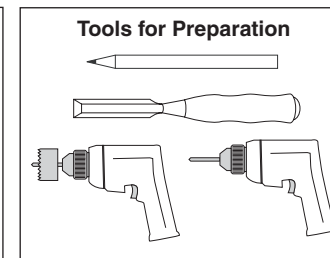
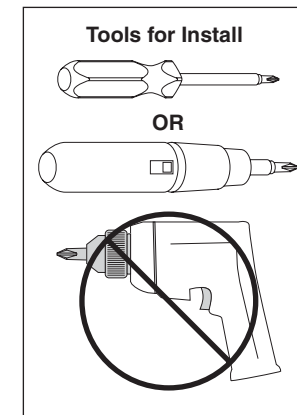
© 2007 Ingersoll-Rand Co. Ltd.  
829696\_00(1)



829696-00

**GLYNN-JOHNSON**

Installation Instructions  
PL7/PL8 Privacy Latch

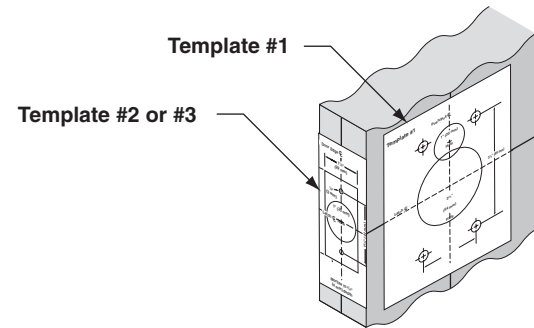


- A. Cover with Emergency Release Button
- B. Cover Screws
- C. PL7/8 Mounting Screws
- D. Pull Assembly
- E. Latch
- F. Latch/Deadbolt/Strike Screws
- G. Strike
- H. Strike Box
- J. Push Assembly
- K. PL7/8 Mounting Nuts
- L. Cover with Thumbturn
- M. Lead Washers (Optional)
- N. Lead Latch Cover (Optional)
- P. Roller Bracket
- Q. Roller Bracket Screws
- R. ASA Strike Screws
- S. Roller Strike Screws

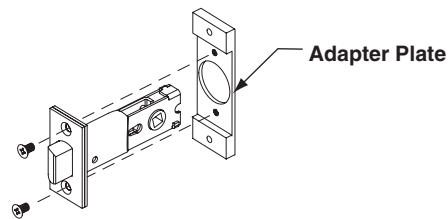
# Install Privacy Latch

## 1 Use Templates from Back Page to Check Holes

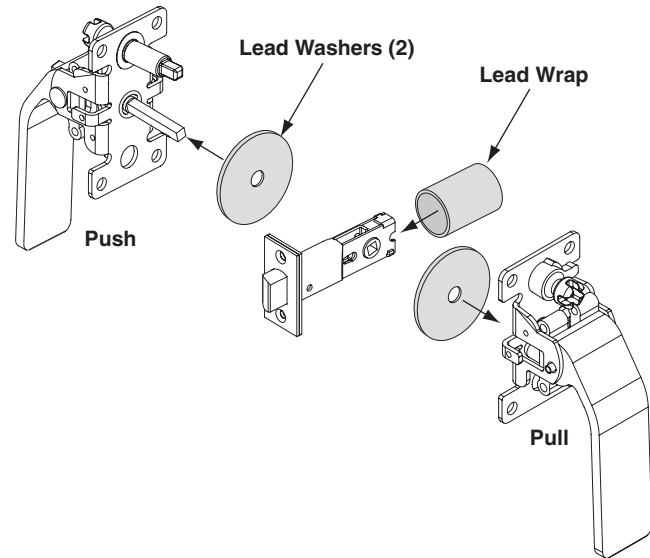
**NOTE:** If door holes do not match template, see Door Preparation section on back page.



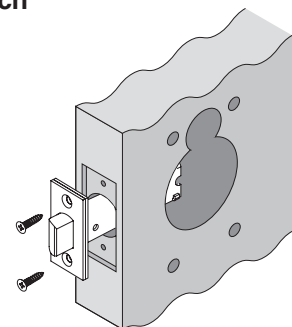
## 2 For Roller Strike Model ONLY, Install Adapter Plate



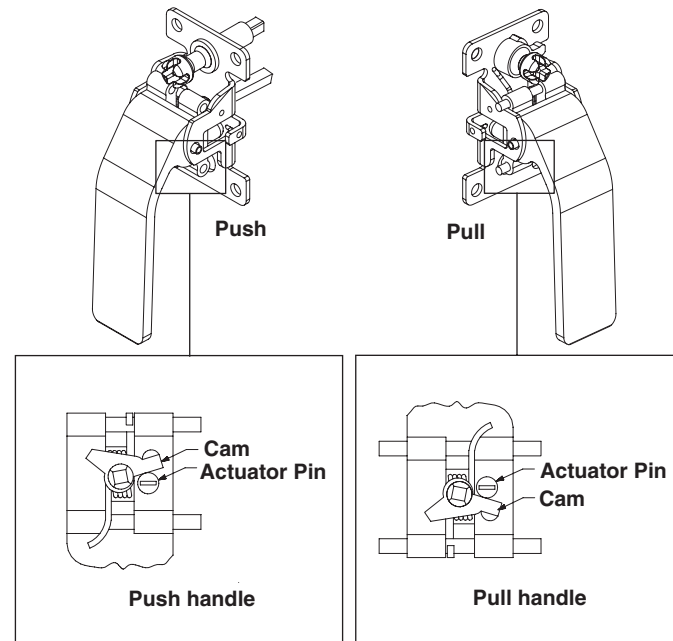
## 3 For Lead Lined Model ONLY, Install Lead Lining



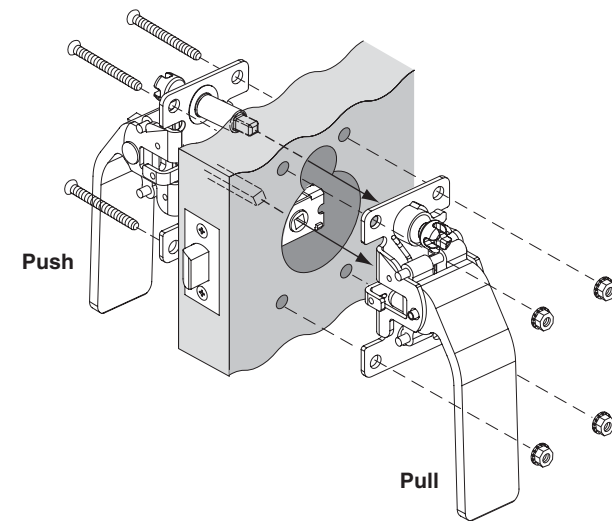
## 4 Install Latch



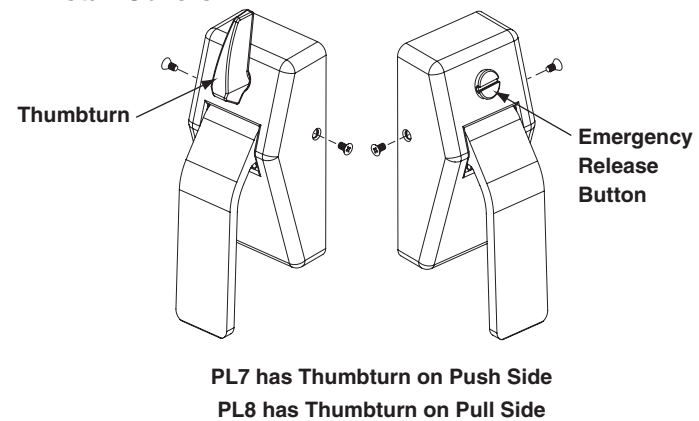
## 5 Position Cams as Shown



## 6 Install Push Lever and Pull Lever



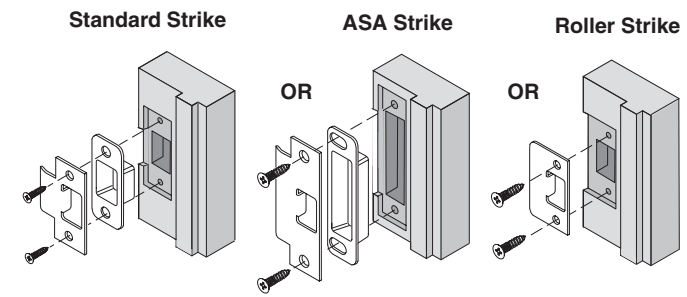
## 7 Install Covers



PL7 has Thumbturn on Push Side  
PL8 has Thumbturn on Pull Side

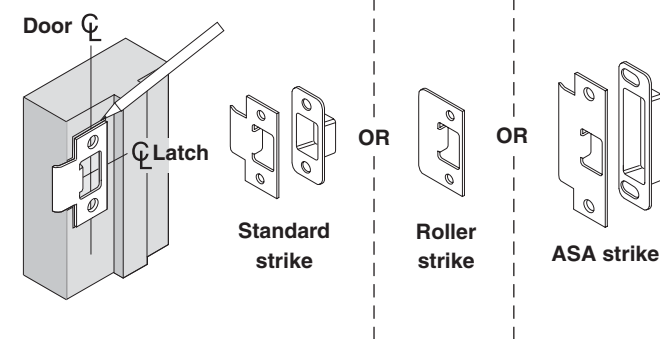
## 8 Install Strike

**NOTE:** If frame not prepared, see Frame Preparation below.



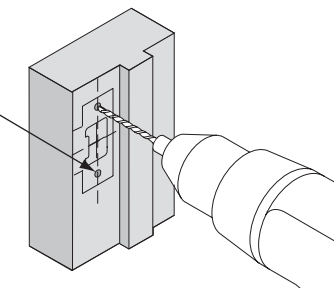
## Frame Preparation

### 1 Use Strike as a Pattern to Mark Frame



### 2 Drill Holes

**Standard**  
Wood - #32 Pilot Drill  
Metal - #29 Drill, #8-32 Tap  
**ASA Strike or Roller Strike**  
Wood - 1/8" (3mm) Pilot Drill  
Metal - #17 Drill, #12-24 Tap



### 3 Mortise for Strike

**NOTE:** Strike should be flush to frame.

