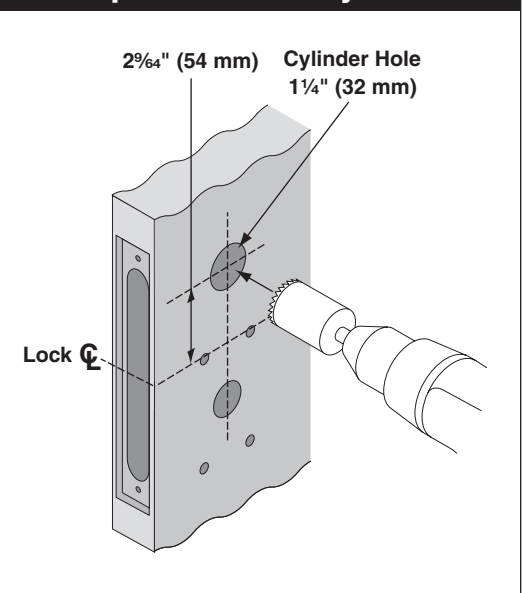
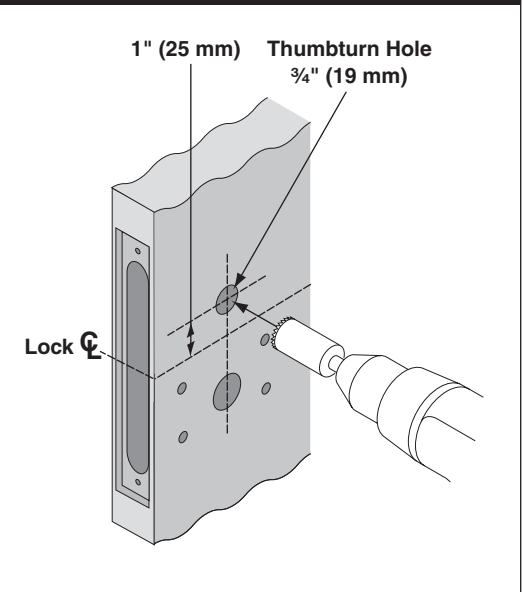


**Preparation for Cylinder**



**Preparation for Thumbturn**



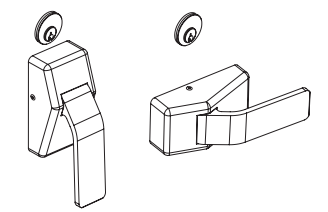
829695-00

**GLYNN-JOHNSON**

**Installation Instructions  
HL6-9000 Push/Pull Mortise Latch**

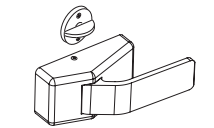
**NOTE**

When cylinder application is used, paddle on key side may be mounted in down position or horizontal.

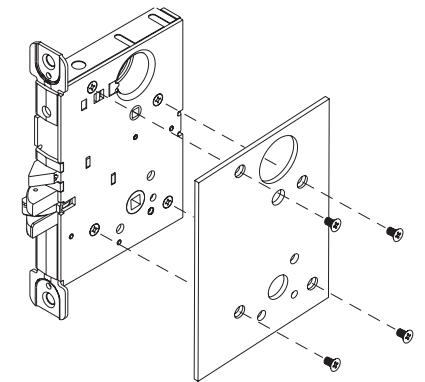


OR

When thumbturn application is used, paddles must be mounted in horizontal position only.

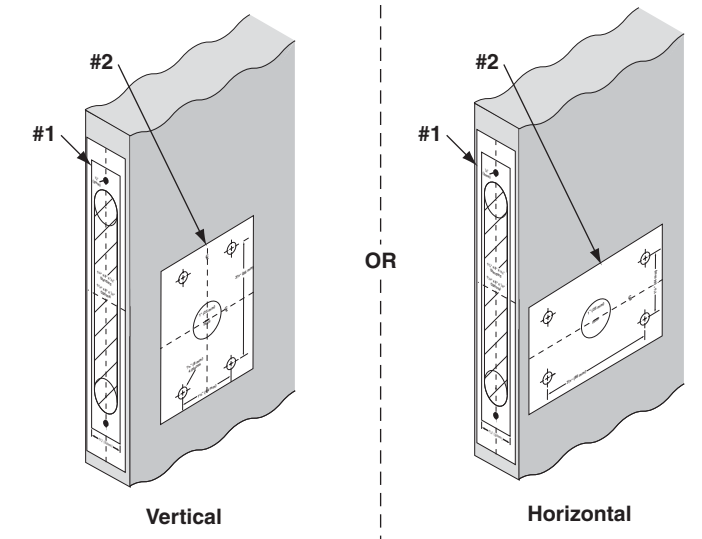


**3 For HL6ML (Lead Lined) ONLY, Install Lead Plate**



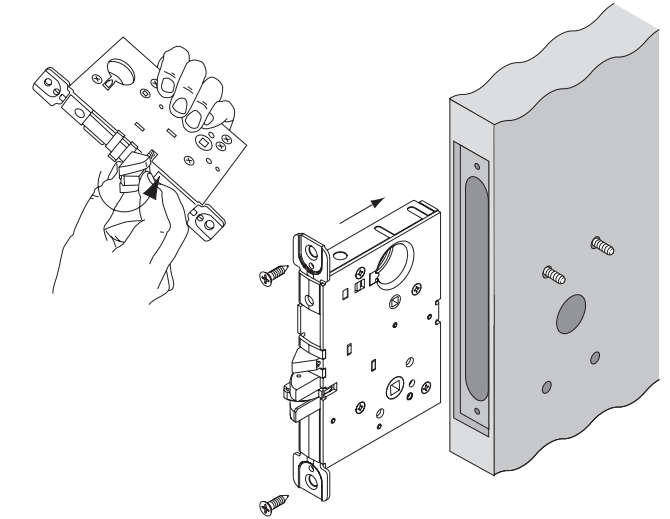
**1 Use Templates #1 and #2 to Check Holes**

**NOTE:** If door holes do not match template, see Door Preparation section.

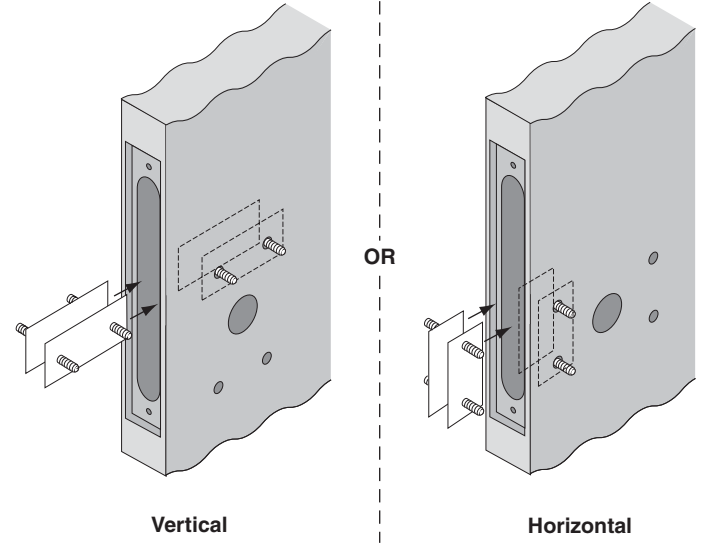


**4 Install Mortise Lock**

**NOTE:** To reverse latch, pull out and rotate 180 degrees.

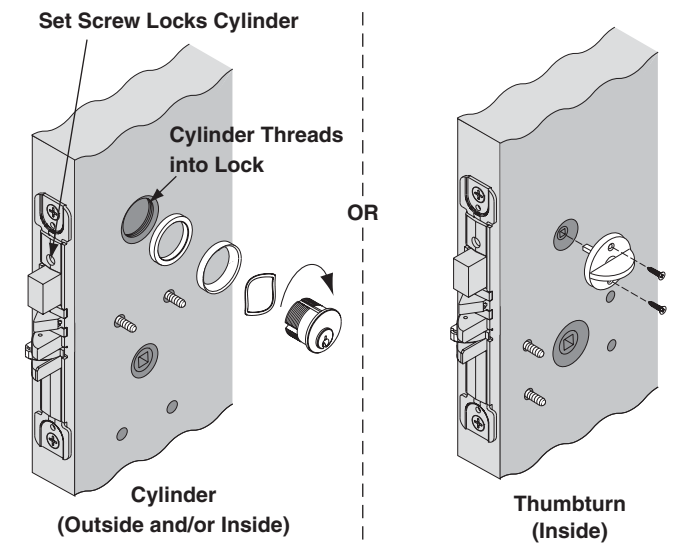


**2 Install Studs**

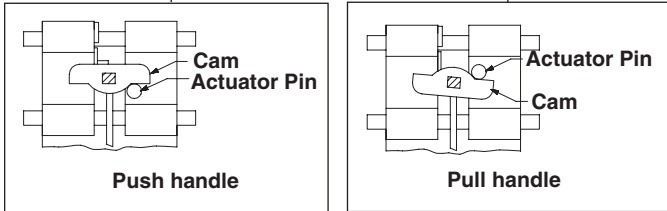
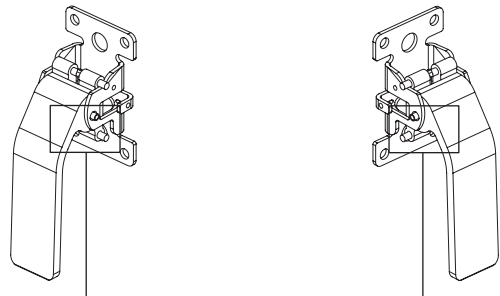


**5 Install Cylinder or Thumbturn, as Required**

**NOTE:** Uses 1-1/8" mortise cylinder with a cover leaf.

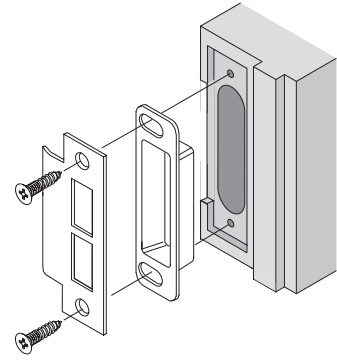


**6** Position Cams as Shown



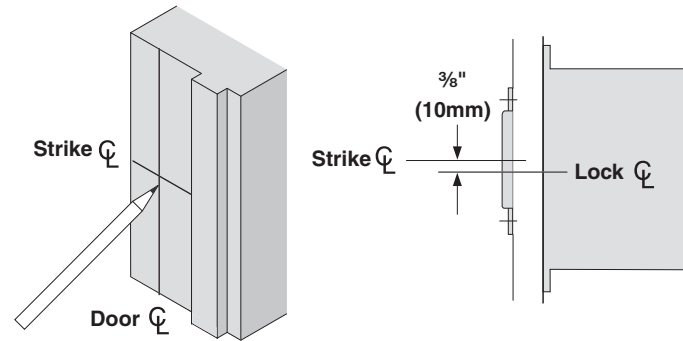
**9** Install Strike

**NOTE:** If frame not prepared, see Frame Preparation below.

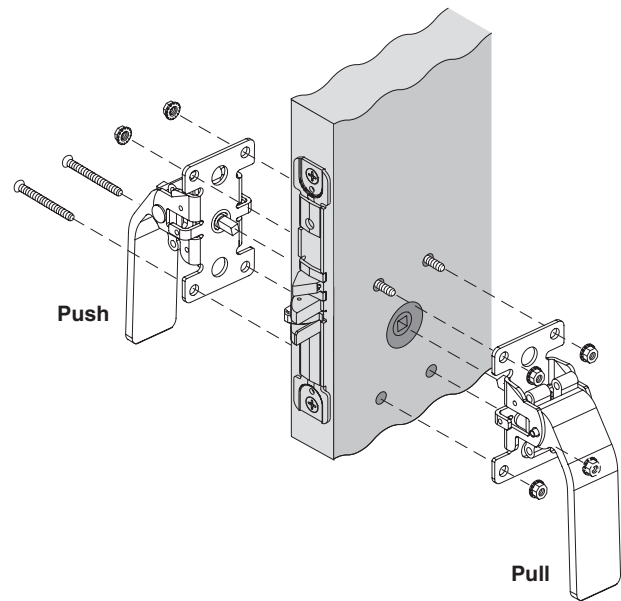


**1** Locate Strike Center Lines (☉) on Frame

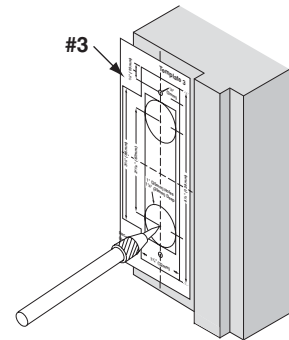
**NOTE:** Horizontal strike ☉ is located  $\frac{3}{8}$ " (10 mm) above Lock ☉.



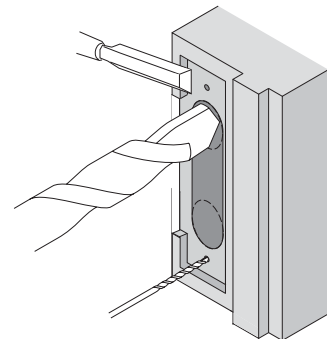
**7** Install Push and Pull Levers



**2** Mark Frame Using Template #3

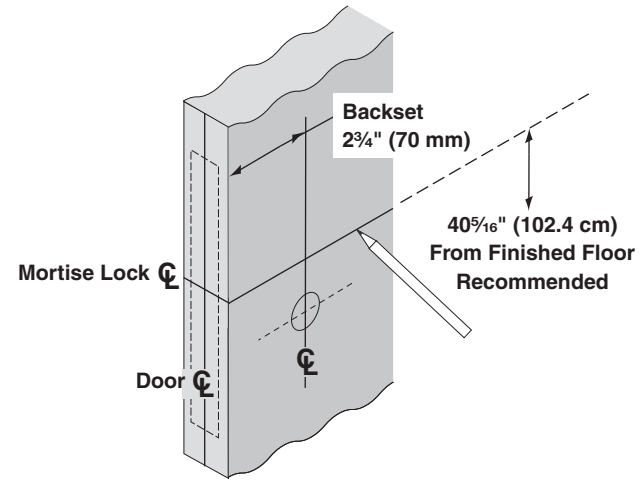


**3** Drill and Mortise Frame per Template

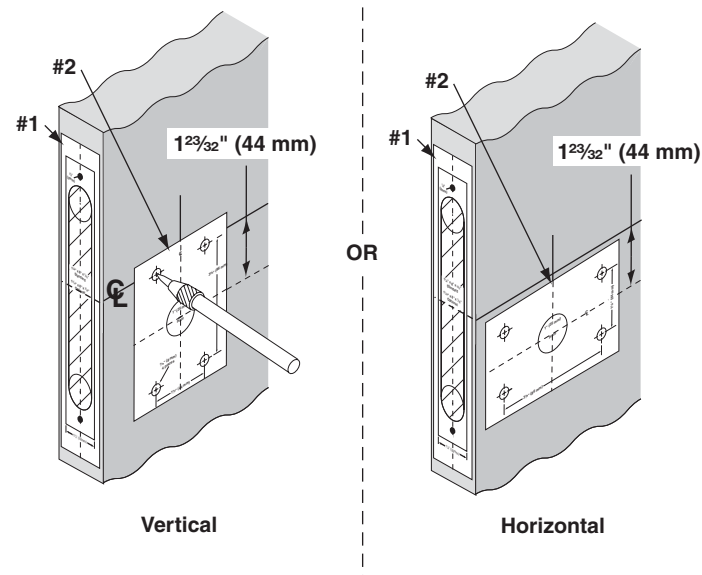


**Door Preparation**

**1** Mark Center Lines (☉)



**2** Mark Door using Template #1 and #2



**3** Drill and Mortise Door per Template

